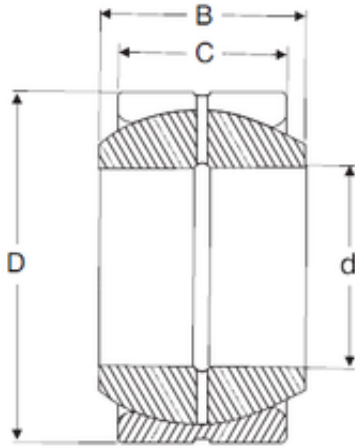




NEI Manufacturing India Private LTD.



50 mm x 75 mm x 35 mm SIGMA GE 50 ES
plain bearings

Bearing No. GE 50 ES

Size	50x75x35 mm
Bore Diameter	50 mm
Outer Diameter	75 mm
Width	35 mm
d	50 mm
D	75 mm
B	35 mm
C	28 mm

GE 50 ES Bearing 2D drawings and 3D CAD models